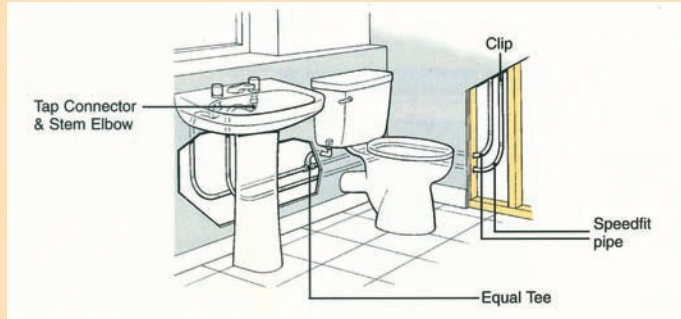


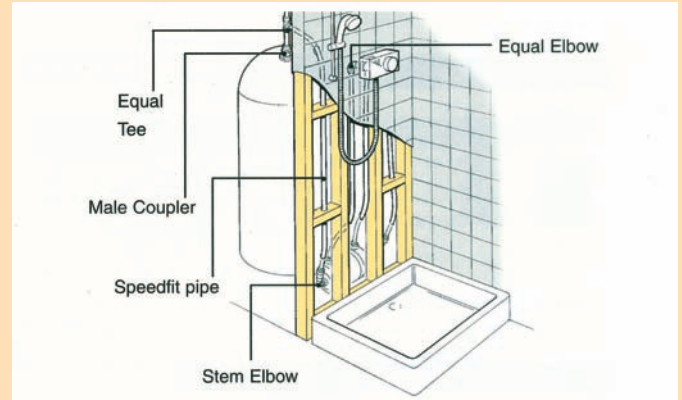
Speedfit

APPLICATIONS

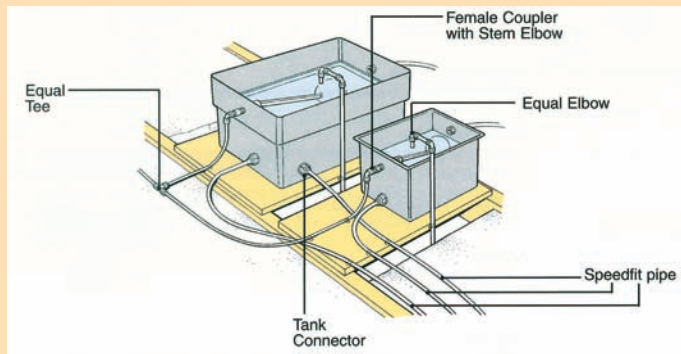
HOT AND COLD WATER SUPPLY



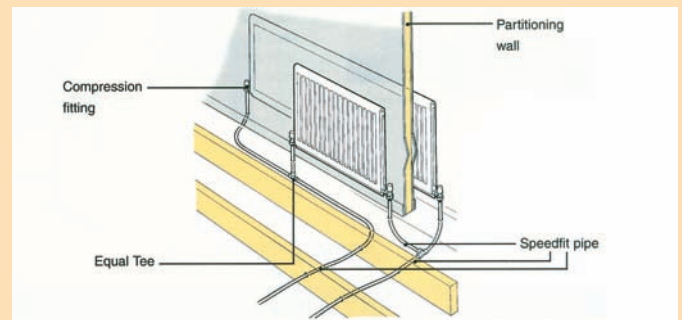
MIXER SHOWER WITH PUMP



COLD WATER TANK & CENTRAL HEATING HEADER TANK

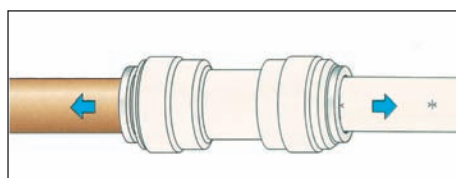
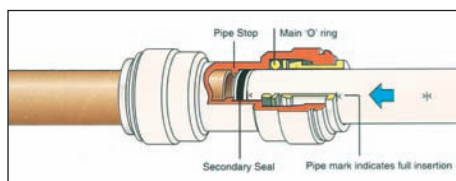
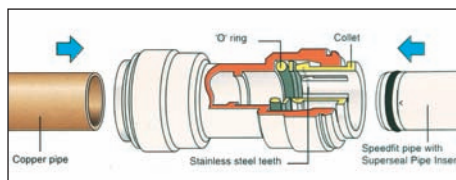


CENTRAL HEATING



Standard Speedfit Fittings

An 'O' ring on the head of the insert and the shape of the stem provide a secondary seal against the bore of the fitting. A combination of this and the main 'O' ring ensure a good connection.



The stem of the insert gives greater rigidity to the length of pipe within the fitting, reducing the chance of leaks if a side load is applied.

Push the pipe into the fitting, up to the pipe stop. When using correctly cut Speedfit pipe, the insertion mark on the pipe should be level with the collet head.

The 'O' ring on the Superseal Pipe Insert provides a secondary seal against the bore of the fitting.

Pull on the pipe to check it is secure. It is good practice to test the system prior to leaving site or before use. Our recommended test procedure is shown in our Technical Checklist.

To Disconnect

Ensure the system is depressurised before removing fitting. The fitting can be removed by using fingers or with the help of the collet release tool. Push the collet squarely against the face of the fitting. With the collet held in this position, the pipe can be removed. The fitting can then be re-used without the need for replacement parts.

