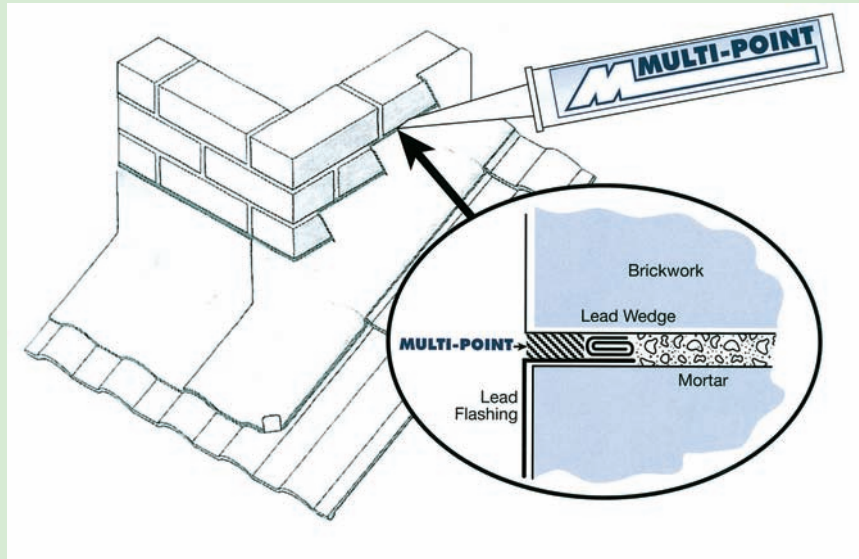


ROOF FELTS AND MEMBRANES

LEAD

How often have you been called back to jobs to re-point after mortar has dropped off after only a few years service. The reason for this is that lead moves with changing temperatures and after only a few days after the installation the lead will have broken away from the mortar. The problem can now be overcome simply, economically and permanently by using Multi-point. This high quality, flexible mortar provides a neat, flexible and water tight solution.

- Quicker and easier than mortar
- Lead coloured
- No waste
- Provides a watertight flexible joint
- Economical – one tube will point approximately 8m

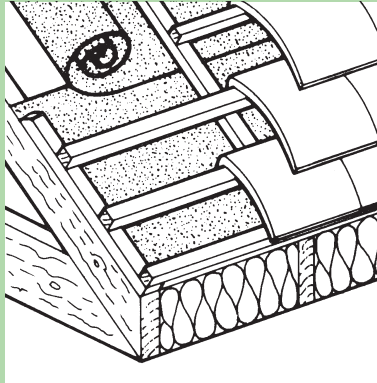


TYVEK SUPRO

BBA certificates: 94/3054, 04/4101

Multi-purpose, heavyweight, reinforced Tyvek grade for use in all supported and unsupported pitch roof applications, including warm, hybrid and cold roofs. Also suitable for Scottish sarking board systems, low pitched metal roofs as well as wall and floor applications.

Roll sizes: 1.5m x 50m
Horizontal lap: 150mm



FELTS

STOCK NO.	SIZE	DESCRIPTION
SF	15m x 1m	Twinplex Slaters Felt One F
SF30M	30m x 1m	sartec Slaters Felt 2F
T3B	20m x 1m	Tack down Thermaglass Felt
TGM	7.5m x 1m	Torch on Green Mineral Felt
TSF	7.5m x 1m	Torch on Sand Face
TUU16	16m x 1m	Tecnatorch Universal Underlay
TVBL	20m x 1m	Tecnatorch Vented Base Layer
TVSBM	50m x 1.5m	Tyvek Supro Breather Membrane
BITUTHENEHD	20m x 1m	Xtra Seal Diamond Adhesive Tank Membrane
GUL	10m x 1m	Green Underlay 3G Perf Non Torc on
QDP25	25 litre	Quick Drying Primer
QDP5	5 litre	Quick Drying Primer
SYN25	25 litre	Liquid Damp Proof Membrane
SYN5	5 litre	Liquid Damp Proof Membrane
TBGM	7.5m x 1m	Torch on Blue/Grey Mineral Felt